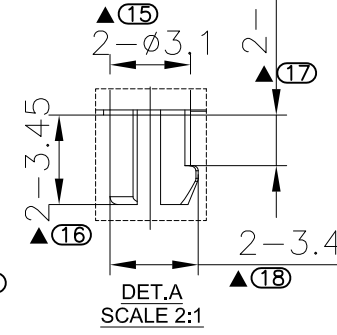
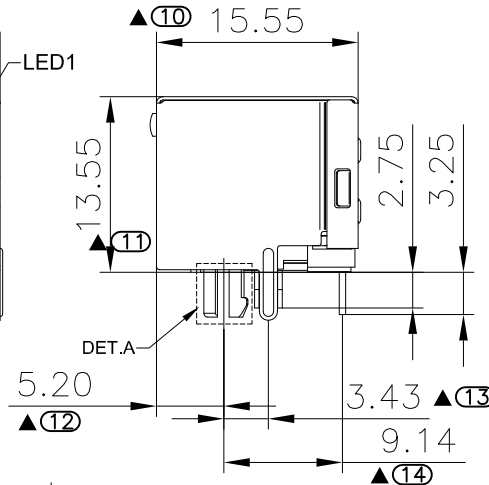
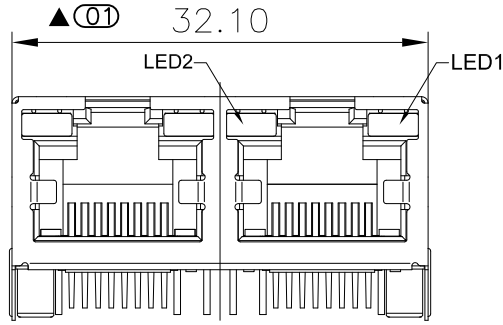
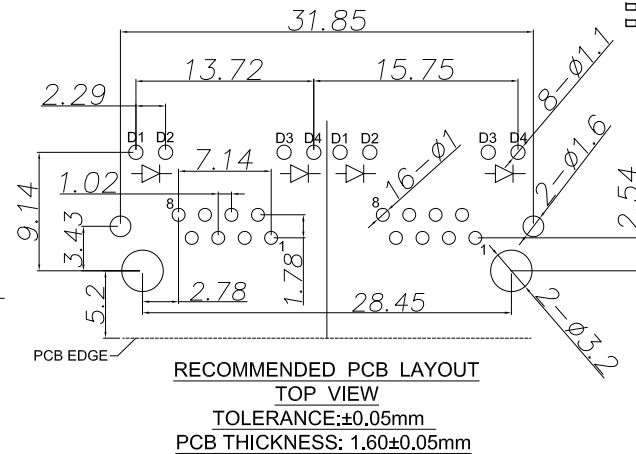
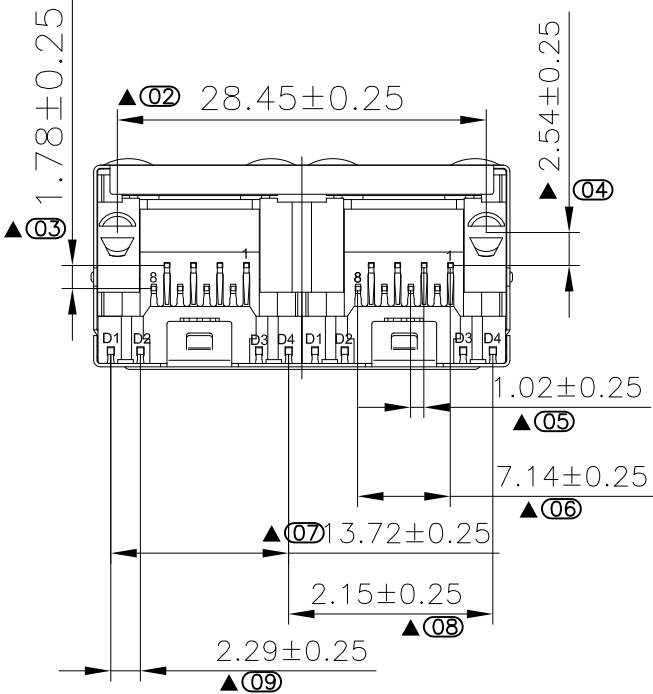


正式图 参考图

Mark	ECN NO.	DESCRIPTION	DESIGN	Date:
—	—	NEW VERSION	Peter Wang	2018.01.26

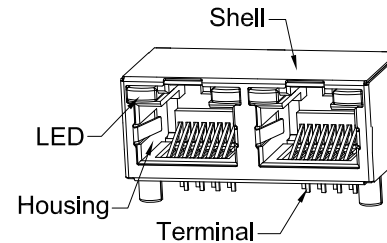


SPECIFICATION:
 1.Current Rating:1.5Amp max
 2.Voltage Rating:150VAC max
 3.Insulation Resistance:500 megohms min
 4.Contact Resistance:50 milliohms max
 5.Withstanding Voltage:1000 VAC
 6.Durability:750 Cycles
 7.Operating Temperature:-40°C~+70°C
 8.Storage Temperature:-50°C~+75°C
 9.Contact Normal Force:100g Minimum
 10.Wave Solder 260°C,3~5 Seconds
 IR Reflow, Peak Temp 230~240°C,20~40SEC.
 11.Sign"▲"is importance demension.



P/N: RJ1161W-XXXX-XXXX24X

- Model P/N
- Plasting Material
 - B0:PBT UL94-V0 ROHS(Wave Solder)
 - B4:PBT UL94-V0 ROHS&H.F(Wave Solder)
 - F0:NYLON FR52 UL94-V0 ROHS(Wave Solder)
 - F5:NYLON FR52 UL94-V0 ROHS&H.F(Wave Solder)
- Plasting Color
 - 04:Yellow 114C
- Packing
 - B:Tray; □R:Tape reel;
- Chocolate:
 - 24:LED2:YELLOW/LED1:GREEN
- Plating Code:
 - 00:Gold Flash
 - 01:6u"
 - 02:15u"
 - 03:30u"
 - 04:50u"
- Contacts:
 - 8C:8Pin Contacts




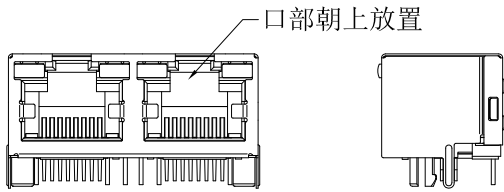
NO.	DESCRIPTION	QTY	PARTS MATERIAL	PLATING OR COLOR	REMARK
4	LED	4	Choose from P/N	Choose from P/N item color	-
3	Shell	1	Copper Alloy	Nickel Plated.	-
2	Terminal	8	Copper Alloy t=0.35mm	Plated with Gold and Tin in solder area(Gold See Part No).	-
1	Housing	1	Choose from P/N	Choose from P/N item color	-


Tolerance	MODEL NAME:RJ45 CONNECTOR	DRAWING: Peter Wang
X.X ±0.30	MODEL No:RJ1161W-XXXX-XXXX24X	CHECKED: David Zhou
X.XX ±0.20	REVISION	APPROVED:Jacky Lee
X.XXX ±0.10	SCALE:1:1	DATE: 2018.01.26
Angle ±3.0°	A0	1/1
UNIT:mm	菱揚精密有限公司 Ling Yang Precision Co.,Ltd	FILE: CD/LINGYANG
		DWG NO.RJ1161W-A001

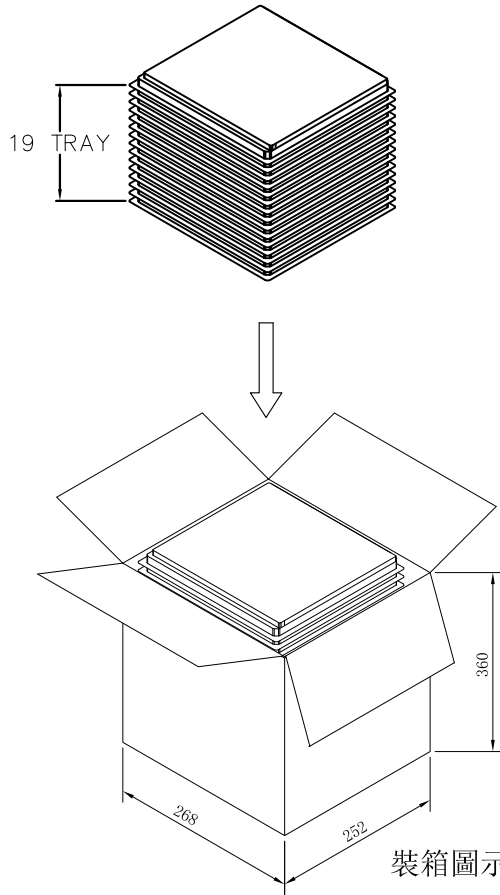
正式图 参考图

Mark	ECN NO.	DESCRIPTION	DESIGN	Date:
—	—	NEW VERSION	Peter Wang	2018.01.26

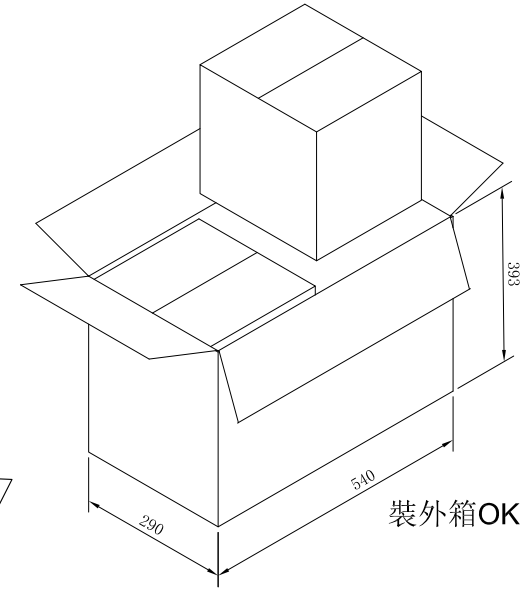
1.
 包材: 真空盒上下蓋各 1 PC
 流程單編號標籤 1 PC
 無鉛製程標籤  1 PC
 數量: 1*50=50 PCS



2.
 包材: 內箱 1 PC
 無鉛製程標籤  1 PC
 數量: 50*19=950 PCS



3.
 外箱尺寸
 外箱=2內箱(1900PCS)





淨毛重
 單位(KG)
 數量
 單位(PCS)

N.W.	G.W.	Q'TY
15.3Kg	19.4± 0.3Kg	1900

NO.	DESCRIPTION	QTY	PARTS MATERIAL	SIZE
4	Carton	1	--	540X290X393(mm)
3	Inner Carton	2	--	268X252X360(mm)
2	TRAY	19	PVC	--
1	RJ45 Connector	1900	--	--

Net weight: -KG	TAP Tolerance X.X ±0.30 X.XX ±0.20 X.XXX ±0.10 Angle ±3.0°
Gross weight: -KG	
UNIT: cm	

MODEL NAME: Packing specification		DRAWING: Peter Wang	
MODEL No:RJ1161W-XXXX-XXXXXXX		CHECKED: David Zhou	
 SCALE: 1:1	REVISION	SHEET	APPROVED: Jacky Lee
	A0	1/1	DATE: 2018-01-26
 菱揚精密有限公司 Ling Yang Precision Co.,Ltd			FILE: CD/LINGYANG
			DWG NO.RJ1161W-B001