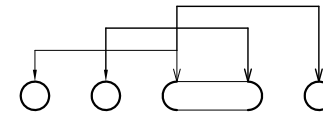
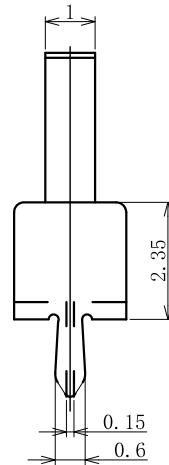
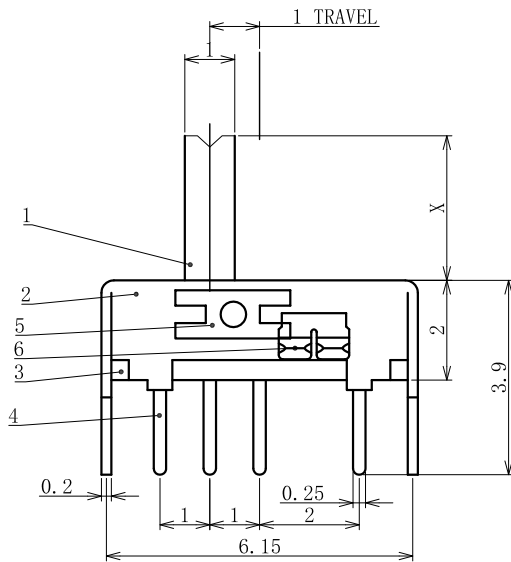


P.C.B LAYOUT



SCHEMATIC (SHORTING)



2	B4	PBT 30%G/F UL94V-0	PBT 30%G/F UL94V-0	RoHS2&H.F Fit
1	B0	PBT 30%G/F UL94V-0	PBT 30%G/F UL94V-0	RoHS2 Fit
NO.CODE		HOUSING MATERIAL	BUTTON MATERIAL	REMARK

TABLE A : Plactical Material

P/N:

SW1005W-XXXX-XXXXXXX

Model P/N

Plactical Material  
(Choose From Table A)

Acuator Color

- 01:Black
- 02:Red
- 03:White
- 04:Yellow

Gear function

- 02: two
- 03: three

- Packing
  - B:Tray; R:Tape reel;
  - T: Tube; P:PE Bag
- DIM "X"
  - 02: 2mm 05: 5mm
  - 04: 4mm 06: 6mm
- Plating Code
  - S: Ag;
  - 1: Au
- Product salt mist
  - A: Normal;
  - B: 24Hours;
  - C: 48Hours;

6	SPRING PLATE	PBS	1	NATURAL
5	CLIP	PBS	1	Ag PLATED
4	TERMINAL	BRASS	1	Ag PLATED
3	TERMINAL CASE	PHENOLIC RESIN	1	NATURAL
2	COVER	MILD STEEL	1	Ni PLATED
1	KNOB	PBT	1	BLACK
NO.	PART NAME	MATERIAL	QTY.	FINISHING

Tolerance
X.X ±0.30
X.XX ±0.20
X.XXX ±0.10
Angle ±3.0°

MODEL NAME: VERTICAL SLIDE SWITCH		DRAWING: David Zhou	
MODEL No: SW1005W-XXXX-XXXXXXX		CHECKED: David Zhou	
SCALE: 1:1	REVISION	SHEET	APPROVED: Jacky Lee
	A0	1/1	DATE: 2017.03.24

UNIT:mm



菱揚精密有限公司  
Ling Yang Precision Co.,Ltd

FILE: CD/LINGYANG  
DWG NO. SW1005W-A001