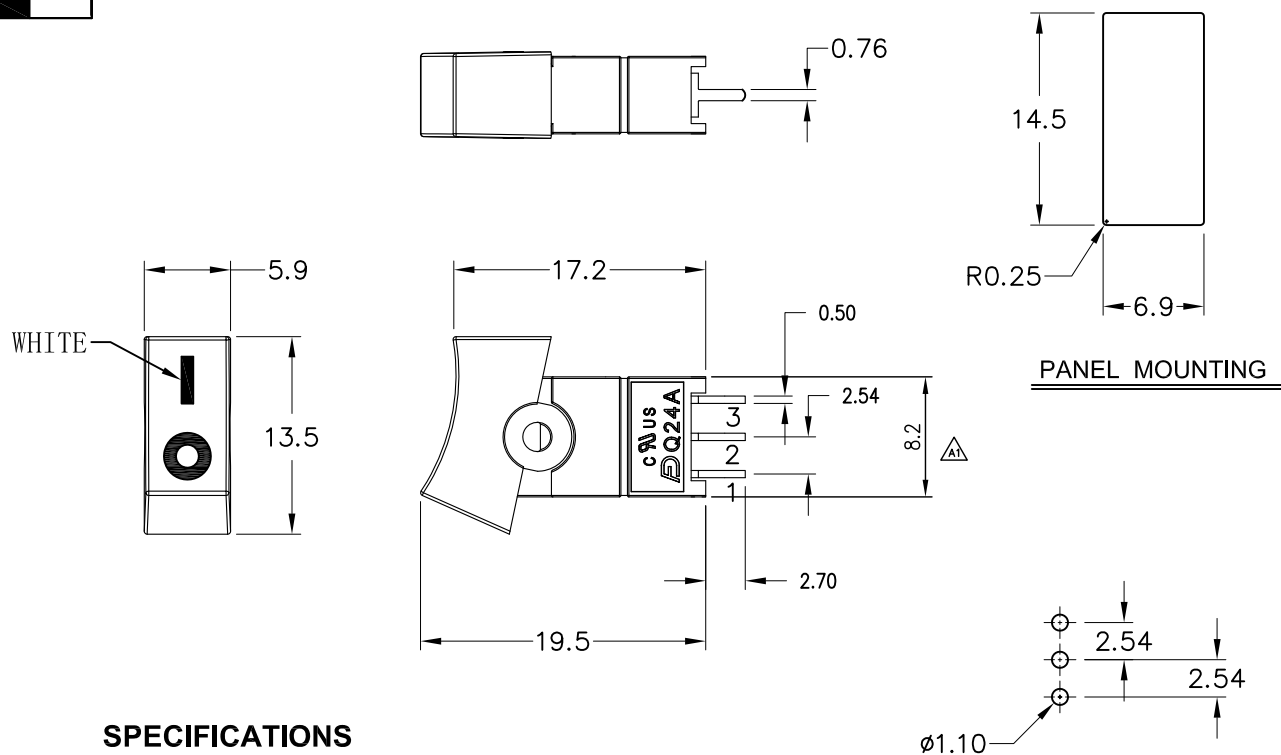


正式图 参考图

Mark	ECN NO.	DESCRIPTION	DESIGN	Date:
		INITIAL RELEASE	David zhou	2017.09.25
	EN20180518001	Add the note and dimension	Peter Wang	2018.05.18



Model No.	POS.1	POS.2	POS.3
4DS1	ON	NONE	ON
Term. Comm.	2-3	N/A	2-1
SCHMATIC			

SWITCH FUNCTION

SPECIFICATIONS

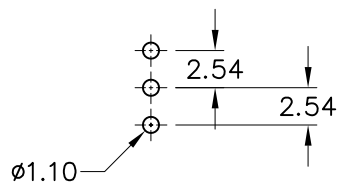
MECHANICAL LIFE: 30,000 make-and-break cycles.
CONTACT RESISTANCE: 20mΩmax. initial @ 2-4VDC100mA for both silver and gold plated contacts.
INSULATION RESISTANCE: 1,000MΩmin.
DIELECTRIC STRENGTH: 1,000 V RMS@sea level.
OPERATING TEMPERATURE: -30°C to 85°C.
PATENT: M364961

RATING :
 Q : 1Amps @250VAC / 3Amps @120 VAC

MATERIALS

CASE & BUSHING - Glass filled FR52 (UL94v-0).
ACTUATOR - Nylon , black std.
SWITCH SUPPORT - Brass or steel , tin plated.
TERMINALS/CONTACT - Copper, Silver plated.
RoHS & Lead Free

P.C.B. MOUNTING



RS1013W-F0XX-A00000X

MODEL P/N _____
 Material of Housing F0:FR52 ROHS2
 Color of Housing and Actuare 01=BLACK
 Schematic Code _____

Packing
 P:PE Bag
 B:Tray
 Remark
 0000: Normal

Tolerance	MODEL NAME: ROCKER SWITCH			DRAWING: David zhou
>10 ±0.40 <10 ±0.25 Angle ±3.0°	MODEL No: RS1013W-XXXX-XXXXXXX			CHECKED: David zhou
	SCALE 1:1	REVISION A1	SHEET 1/1	APPROVED: Jacky Lee
UNIT:mm	菱揚精密有限公司 Ling Yang Precision Co.,Ltd			DATE: 2017.09.25
				FILE: F/LINGYANG
				DWG NO.RS1013W-A001