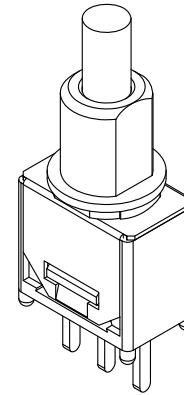
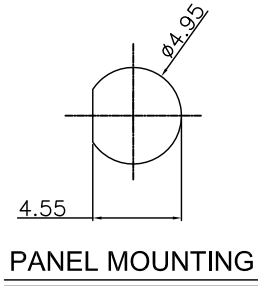
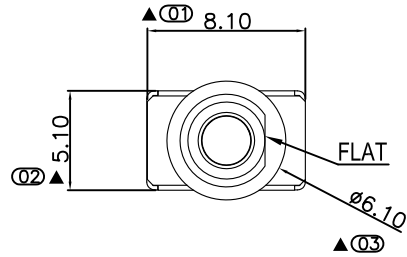
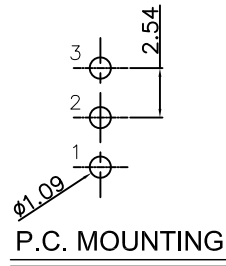
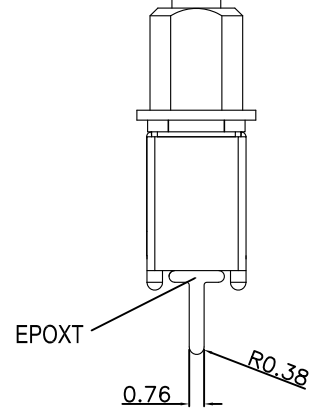
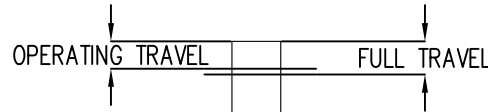
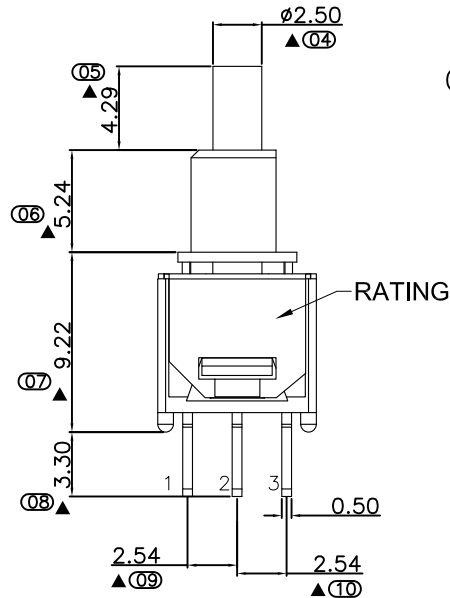


正式图 参考图

Mark	ECN NO.	DESCRIPTION	DESIGN	Date:
—	—	INITIAL RELEASE	Peter Wang	2018.04.12



Model No.	POS.1	POS.2
8MSL	ON	ON
Term. Comm.	1-2	2-3
SCHEMATIC		
	A0	
TABLE A: Code of Schematic		



SPECIFICATIONS:
 1.RATING: 1A 250VAC, 3A 120VAC or 28VDC
 2.CONTACT RESISTANCE=20mΩ Max, Q=50mΩ Max
 3.ELECTRICAL LIFE : 6,000 cycles
 4.INSULATION RESISTANCE : 1000MΩ min,1000VDC
 5.DIELECTRIC STRENGTH : 1000VAC for 1 Minute
 6.OPERATING TEMPERATURE : -30~85°C
 7.FULL TRAVEL: 1.88±0.30mm
 8.OPERATING TRAVEL: 1.34±0.25mm
 9.OPERATING FORCE : 350±100g
 10.SIGN" ▲ "IS IMPORTANCE DIMENSION.

P/N: PH1026W-XXXX-XXXXXXX

Model P/N ————
 Plasting Material ————
 NO:NYLON GLASS FIBER
 Plunger Color ————
 □01:Black

Schematic Code ————
 (See Table A)

— Packing
 □B: Tray; □P: PE Bag;
 Typ
 A0: Without Cap;
 — Terminal Plating
 S1: Ag Plated;

5	TERMINAL	BRASS	1	Ag PLATED
4	SPRING	PIANO WIRE	1	—
3	HOUSING	STAINLESS	1	—
2	BUSHING	BRASS	1	Ni PLATED
1	PLUNGER	NYLON GLASS FIBER	1	—
NO.	PART NAME	MATERIAL	QTY.	FINISHING

Tolerance	Model Name: PUSH SWITCH	Drawing: Peter Wang
X.X ±0.30	Model No: PH1026W-XXXX-XXXXXXX	Checked: David Zhou
X.XX ±0.25	SCALE: 1:1	REVISION: A0
X.XXX ±0.10	SHEET 1/1	Approved: Jacky Lee
Angle ±3.0°	DATE: 2018.04.12	Date: 2018.04.12
UNIT:mm	菱揚精密有限公司 Ling Yang Precision Co.,Ltd	FILE: F/LINGYANG
		DWG NO. PH1026W-A001