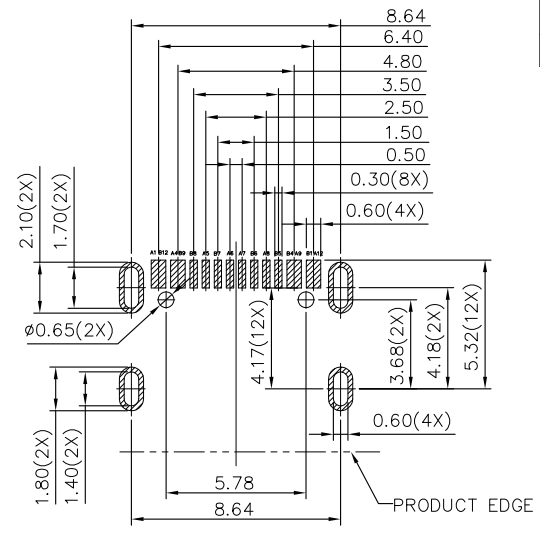
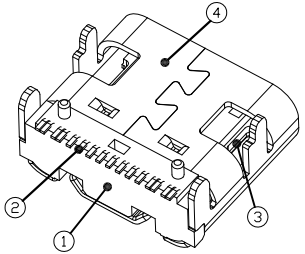
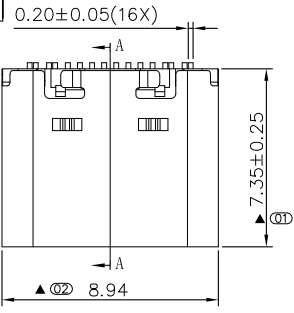
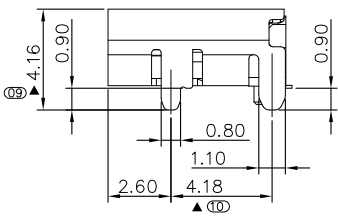
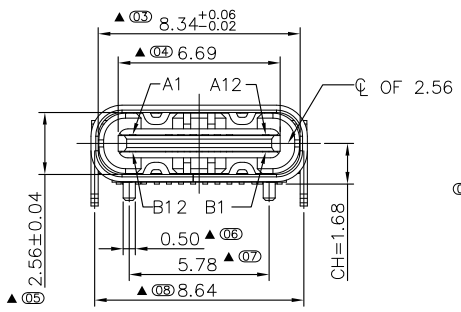


正式图 参考图

Mark	ECN NO.	DESCRIPTION	DESIGN	Date:
—	—	NEW VERSION	Peter Wang	2018.09.15



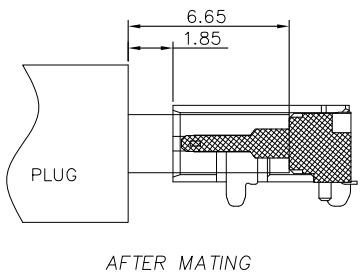
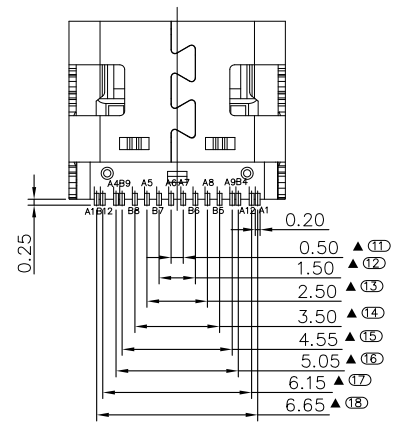
SPECIFICATIONS:  
 1.MECHANICAL :  
 1.1 INSERTION FORCE :5N~20N  
 1.2 WITHDRAWAL FORCE :8N~20N  
 AFTER 10,000 CYCLES MATING: 6N~20N.  
 2.ELECTRICAL:  
 2.1 CURRENT RATING: 3.0A MAX  
 2.2 WITHSTANDING VOLTAGE: 100 VAC FOR 1 MINUTE.  
 2.3 INSULATION RESISTANCE: 100 MEGAOHMS MIN.  
 2.4 CONTACT RESISTANCE: VBUS & GND PINS AND OTHER PINS: 40mΩ/PIN MAX.  
 3. ENVIRONMENTAL :  
 3.1 OPERATING TEMPERATURE: -25°C TO +85°C.  
 4.SIGN"▲"IS IMPORTANCE DIMENSION.



RECOMMENDED PCB LAYOUT(TOP VIEW)  
 THICKNESS 0.80MM;DEFAULT TOLERANCE:±0.05

NO.	CODE	MATERIAL	COLOR	REMARK
1	C0	LCP UL94V-0	BLACK	RoHS2&H.F Fit

TABLE A : Plactical Material



P/N:

UB1199W-XXXX-XXXXXXX

Model P/N  
 Plactical Material  
 (Choose From Table A)  
 Housing Color  
 Typ  
 30:USB 3.0  
 Product salt mist

Packing  
 Remark  
 Shell Material  
 Plating Code

NO.	DESCRIPTION	QTY	PARTS MATERIAL	PLATING OR COLOR	REMARK
4	Shell	1	Stainless Steel	Ni Plated	X
3	Middle Plate	1	Stainless Steel	Ni Plated	X
2	Contact	1	Copper Alloy	Au/Ni Plated	X
1	Housing	1	See Table A	Black	X

Tolerance	MODEL NAME:USB 3.0 90度 C TYPE	DRAWING: Peter Wang
X.X ±0.30	MODEL No: UB1199W-XXXX-XXXXXXX	CHECKED: David Zhou
X.XX ±0.20	SCALE:1:1	APPROVED: Jacky Lee
X.XXX ±0.10		DATE: 2018.09.15
Angle ±3.0°	REVISION A0	FILE: CD/LINGYANG
UNIT:mm	REVISION SHEET 1/1	DWG NO.UB1199W-A001
	Ling Yang Precision Co.,Ltd	