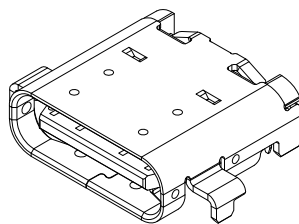
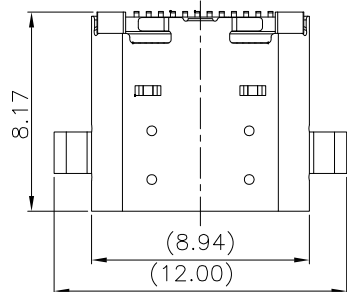


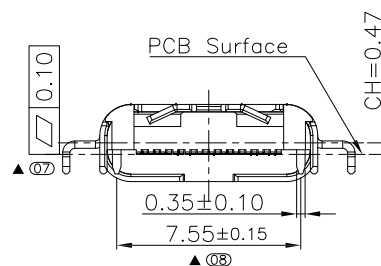
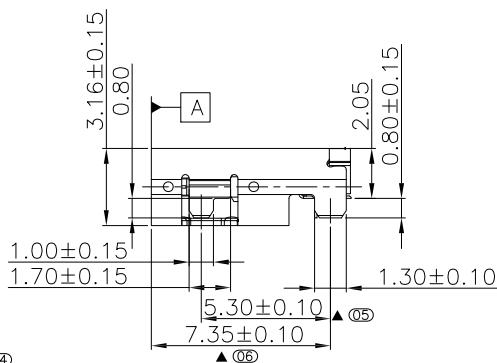
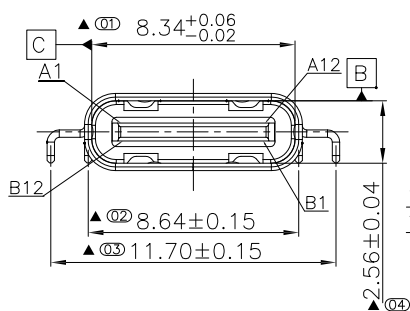
正式图 参考图

Mark	ECN NO.	DESCRIPTION	DESIGN	Date:
—	—	NEW VERSION	Peter Wang	2018.09.29



2	C1	LCP UL94V-0	RoHS2 Fit
1	C0	LCP UL94V-0	RoHS2&H.F Fit
NO.CODE		MATERIAL	REMARK

TABLE A : Plastical Material



P/N:

UB1205W-XXXX-XXXXXXX

Model P/N

Plastical Material
(Choose From Table A)

Housing Color
01: Black.

Typ
30:USB 3.0

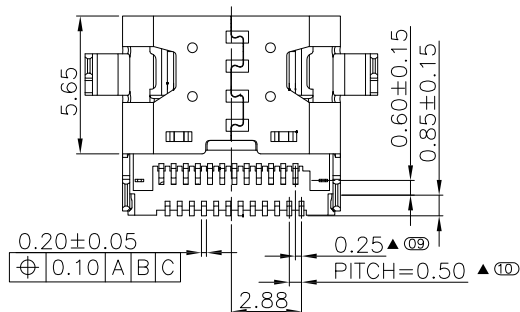
Product salt mist
A: Normal(8 Hours);
B: 24Hours.

Packing
R: Tape reel.

Remark
0: Normal.

Shell Material
S: SUS.

Plating Code
H: GOLD FLASH ALLOVER NICKEL,
GOLD FLASH PLATED IN SOLDER AREA.



NO.	DESCRIPTION	QTY	PARTS MATERIAL	PLATING OR COLOR	REMARK
5	Shell	1	Stainless Steel	Ni Plated	X
4	Ground Plate	1	Stainless Steel	Tin Plated	X
3	Down Contact	12	Copper Alloy	Au Plated	X
2	Up Contact	12	Copper Alloy	Au Plated	X
1	Housing	1	See Table A	Black	X

Tolerance	MODEL NAME:USB 3.0 90度 C TYPE	DRAWING: Peter Wang
X.X ±0.30	MODEL No: UB1205W-XXXX-XXXXXXX	CHECKED: David Zhou
X.XX ±0.20	SCALE:1:1	APPROVED: Jacky Lee
X.XXX ±0.10		DATE: 2018.09.29
Angle ±3.0°	REVISION A0	SHEET 1/2
UNIT:mm	FILE: CD/LINGYANG	
	DWG NO.UB1205W-A001	



菱揚精密有限公司
Ling Yang Precision Co.,Ltd

