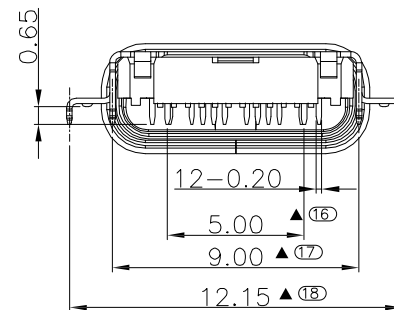
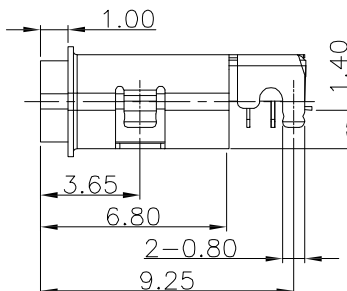
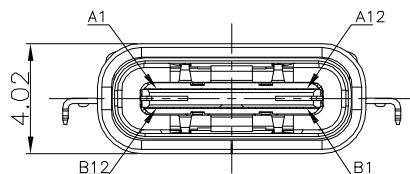
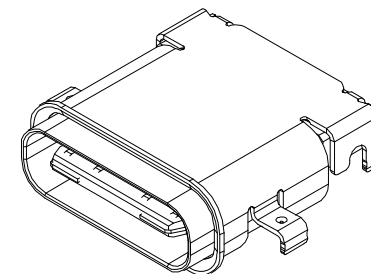
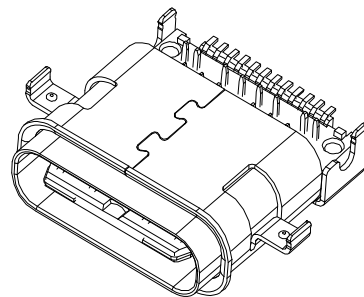
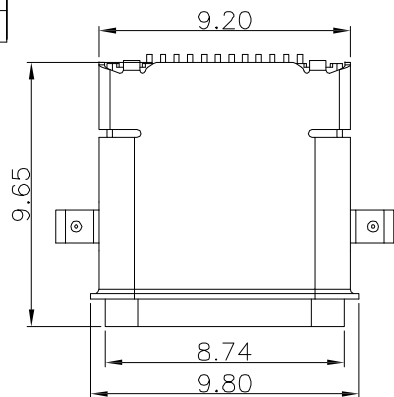


正式图 参考图

Mark	ECN NO.	DESCRIPTION	DESIGN	Date:
—	—	NEW VERSION	Peter Wang	2018.09.29



P/N:

UB1208W-XXXX-XXXXXXXX

Model P/N

Plastical Material
(Choose From Table A)

Housing Color
□01:Black.

Typ
30:USB 3.0

Product salt mist
□A:Normal(8 Hours);
□B:24Hours.

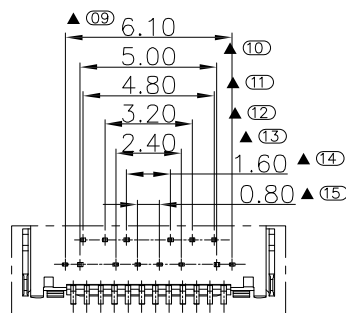
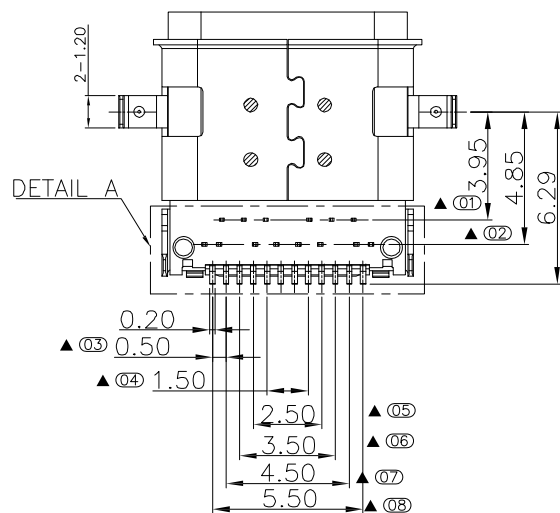
Packing
□R:Tape reel.

Remark
□0:Normal.

Shell Material
□S:SUS.

Plating Code

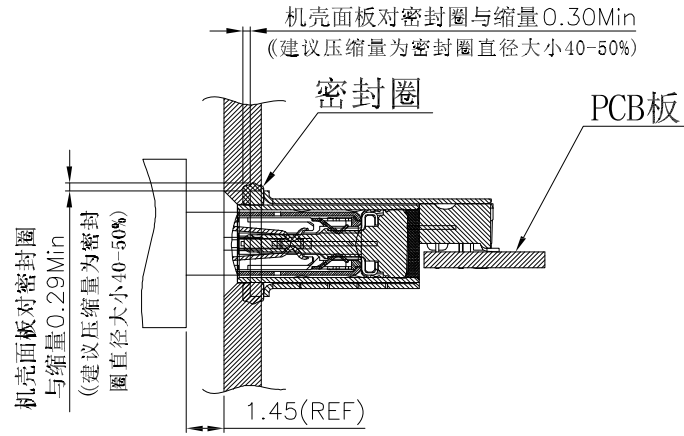
□H:GOLD FLASH ALLOVER NICKEL,
GOLD FLASH PLATED IN SOLDER AREA.



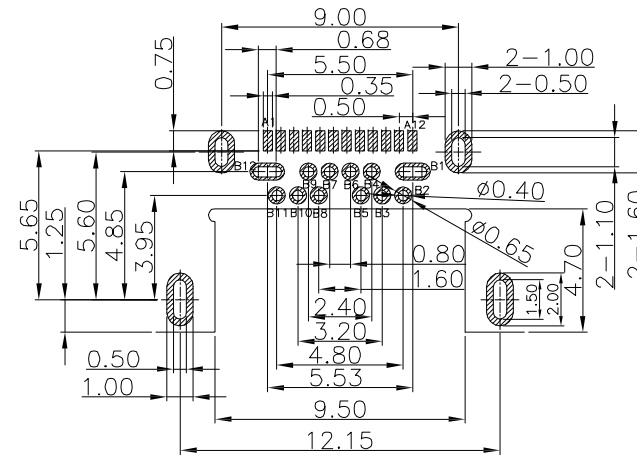
DETAIL A
SCALE 1:1

NO.	DESCRIPTION	QTY	PARTS MATERIAL	PLATING OR COLOR	REMARK
4	Shield	1	Stainless Steel	Au Plated	X
3	Shell	1	Stainless Steel	Ni Plated	X
2	Contact	24	Copper Alloy	Au Plated	X
1	Housing	1	See Table A	Black	X

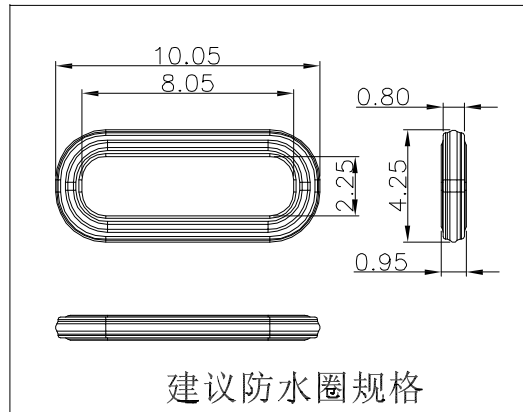
Tolerance	MODEL NAME:USB 3.0 90度 C TYPE	DRAWING: Peter Wang	
X.X ±0.30	MODEL No: UB1208W-XXXX-XXXXXXXX	CHECKED: David Zhou	
X.XX ±0.20	SCALE:1:1	REVISION	SHEET
X.XXX ±0.10		A0	1/2
Angle ±3.0°	UNIT:mm	APPROVED: Jacky Lee	
	菱揚精密有限公司 Ling Yang Precision Co.,Ltd	DATE: 2018.09.29	
		FILE: CD/LINGYANG	
		DWG NO.UB1208W-A001	



组装面板后公母头对插示意图



RECOMMENDED P.C.B LAYOUT(Both sides are sample)Tolerance:±0.05,Thickness=0.60mm



- MECHANICAL:
INSERTION: 5~20N.
EXTRACTION: 8~20N.
DURABILITY: 5000 CYCLES
- ELECTRICAL:
CURRENT: 3A MIN FOR VBUS;
VOLTAGE: 5VAC MAX
WITHSTANDING VOLTAGE: 100V AC.
CONTACT RESISTANCE: 40mΩ MAX.
INSULATION RESISTANCE: 100MΩ MIN.
- ENVIRONMENTAL
TEMPERATURE RANGE -55°C ~ +85°C
- SIGN"▲"IS IMPORTANCE DIMENSION.

2	C1	LCP UL94V-0	RoHS2 Fit
1	C0	LCP UL94V-0	RoHS2&H.F Fit
NO.	CODE	MATERIAL	REMARK

TABLE A : Plastical Material

Tolerance	MODEL NAME:USB 3.0 90度 C TYPE	DRAWING: Peter Wang
X.X ±0.30	MODEL No: UB1208W-XXXX-XXXXXXX	CHECKED: David Zhou
X.XX ±0.20	SCALE:1:1	APPROVED: Jacky Lee
X.XXX ±0.10		REVISION A0
Angle ±3.0°	SHEET 2/2	DATE: 2018.09.29
UNIT:mm	菱揚精密有限公司 Ling Yang Precision Co.,Ltd	FILE: CD/LINGYANG DWG NO.UB1208W-A001