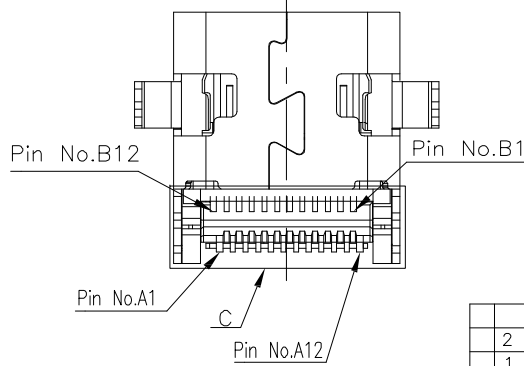
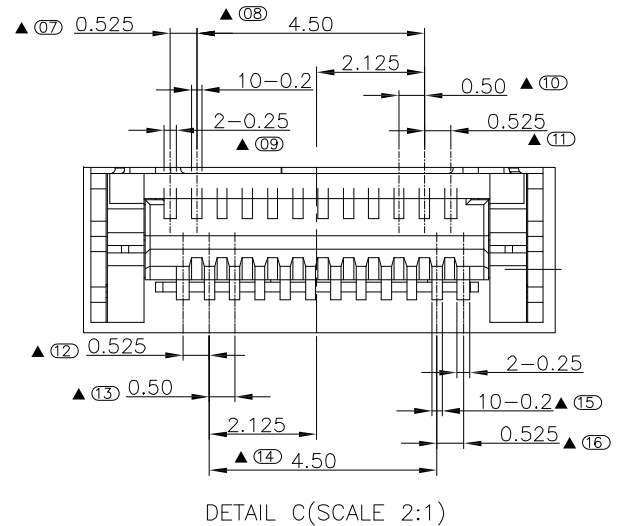
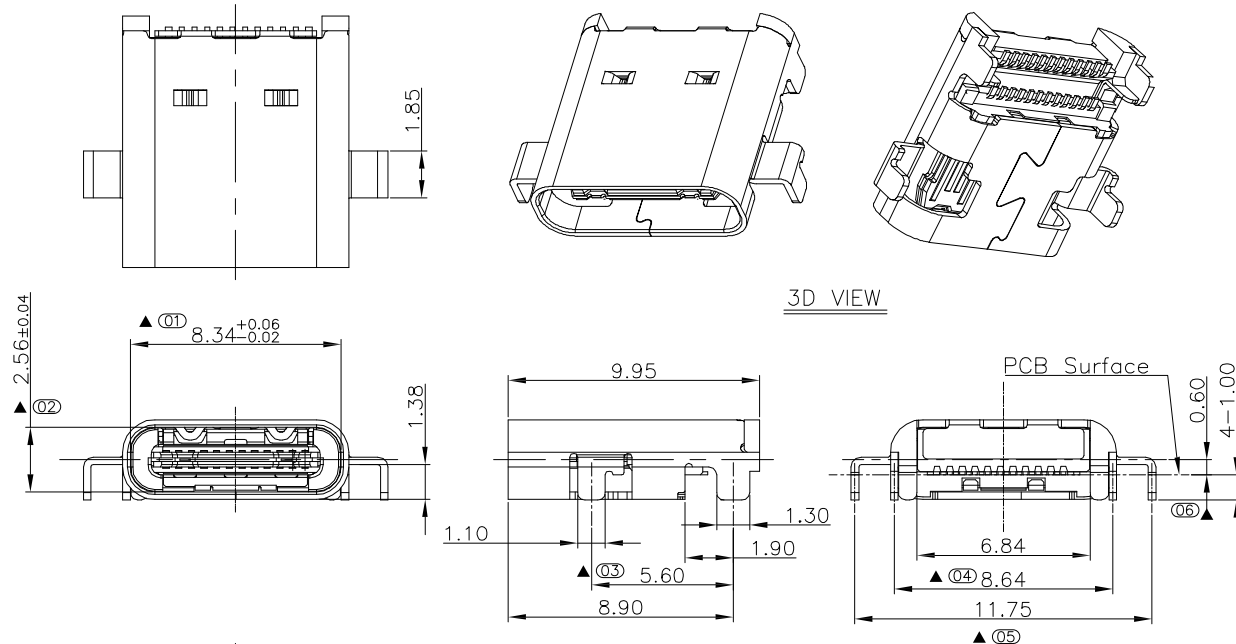


正式图 参考图

Mark	ECN NO.	DESCRIPTION	DESIGN	Date:
—	—	NEW VERSION	Peter Wang	2018.09.29



NO.	CODE	MATERIAL	REMARK
2	C1	LCP UL94V-0	RoHS2 Fit
1	C0	LCP UL94V-0	RoHS2&H.F Fit

TABLE A : Plastical Material

P/N: UB1210W-XXXX-XXXXXXX

Model P/N

Plastical Material (Choose From Table A)

Housing Color 01: Black.

Typ 30: USB 3.0

Product salt mist A: Normal(8 Hours); B: 24Hours.

Packing R: Tape reel.

Remark 0: Normal.

Shell Material S: SUS.

Plating Code H: GOLD FLASH ALLOVER NICKEL, GOLD FLASH PLATED IN SOLDER AREA.

NO.	DESCRIPTION	QTY	PARTS MATERIAL	PLATING OR COLOR	REMARK
6	BOTTOM EMI PAD	1	Stainless Steel	—	X
5	TOP EMI PAD	1	Stainless Steel	—	X
4	MID-PLATED	1	Stainless Steel	—	X
3	Shell	1	Stainless Steel	Ni Plated	X
2	Contact	24	Copper Alloy	Au Plated	X
1	Housing	1	See Table A	Black	X

Tolerance	MODEL NAME: USB 3.0 90度 C TYPE	DRAWING: Peter Wang
X.X ±0.30	MODEL No: UB1210W-XXXX-XXXXXXX	CHECKED: David Zhou
X.XX ±0.20	SCALE: 1:1	APPROVED: Jacky Lee
X.XXX ±0.10	REVISION A0	DATE: 2018.09.29
Angle ±3.0°	SHEET 1/2	FILE: CD/LINGYANG
UNIT: mm	菱揚精密有限公司 Ling Yang Precision Co., Ltd	DWG NO. UB1210W-A001

正式图 参考图

Mark	ECN NO.	DESCRIPTION	DESIGN	Date:
—	—	NEW VERSION	Peter Wang	2018.09.29

SPECIFICATIONS:

1.MECHANICAL :

1.1 INSERTION FORCE :5N~20N

1.2 WITHDRAWAL FORCE :8N~20N  
AFTER 10,000 CYCLES MATING: 6N~20N.

2.ELECTRICAL:

2.1 APPLIED CURRENT (REQUIREMENT)

2.1.1 VBUS PIN: 5A

2.1.2 GND PIN: 6.25A

2.1.3 VCONN PIN: 1.25A

2.1.4 OTHER PIN: 0.25A

2.3 WITHSTANDING VOLTAGE: 100 VAC FOR 1 MINUTE.

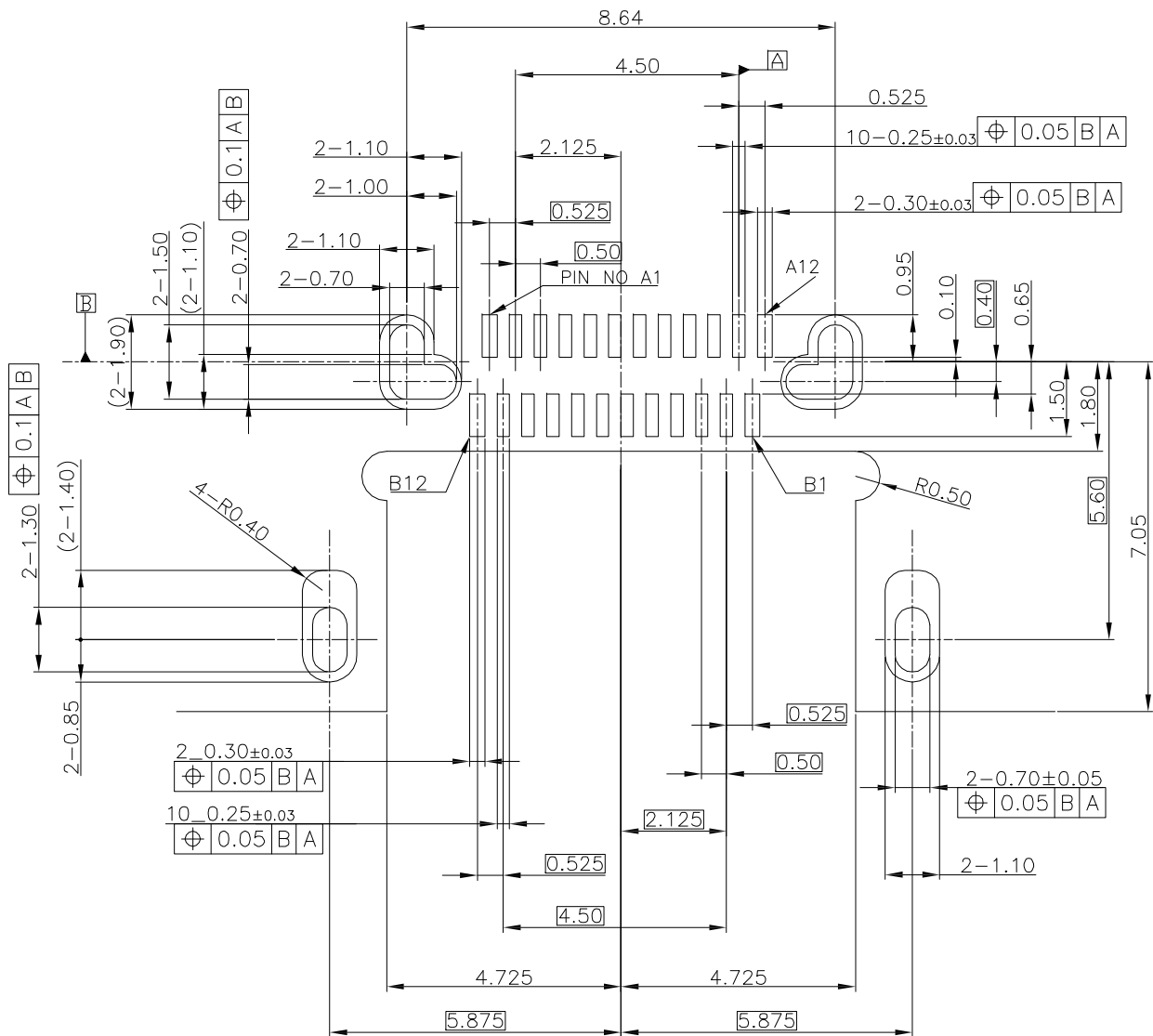
2.4 INSULATION RESISTANCE: 100 MEGAOHMS MIN.

2.5 CONTACT RESISTANCE: 40 MILLIOHMS MAX.

3. ENVIRONMENTAL :


3.1 OPERATING TEMPERATURE: -25°C TO +85°C

4.SIGN"▲"IS IMPORTANCE DIMENSION.



PIN NUMBER	SIGNAL NAME	DESCRIPTION
A1	GND	Ground Return
A2	SSTX+	SuperSpeed differential pair
A3	SSTX-	
A4	VBUS	Bus Power
A5	CC1	Configuration Channel
A6	D+	USB 2.0 differential pair
A7	D-	
A8	RFU1	Reserved for Future use
A9	VBUS	Bus Power
A10	SSRX-	SuperSpeed differential pair
A11	SSRX+	
A12	GND	Ground Return

PIN NUMBER	SIGNAL NAME	DESCRIPTION
B12	GND	Ground Return
B11	SSRX+	SuperSpeed differential pair
B10	SSRX-	
B9	VBUS	Bus Power
B8	RFU2	Reserved for Future use
B7	D-	USB 2.0 differential pair
B6	D+	
B5	CC2	Configuration Channel
B4	VBUS	Bus Power
B3	SSTX-	SuperSpeed differential pair
B2	SSTX+	
B1	GND	Ground Return

Tolerance X.X ±0.30 X.XX ±0.20 X.XXX ±0.10 Angle ±3.0°	MODEL NAME:USB 3.0 90度 C TYPE		DRAWING: Peter Wang	
	MODEL No: UB1210W-XXXX-XXXXXXX		CHECKED: David Zhou	
UNIT:mm	SCALE:1:1	REVISION	SHEET	APPROVED: Jacky Lee
		A0	2/2	DATE: 2018.09.29
 菱揚精密有限公司 Ling Yang Precision Co.,Ltd			FILE: CD/LINGYANG DWG NO.UB1210W-A001	