

Mark	ECN NO.	DESCRIPTION	DESIGN	Date:
—	—	INITIAL RELEASE	Peter Wang	2018.11.01

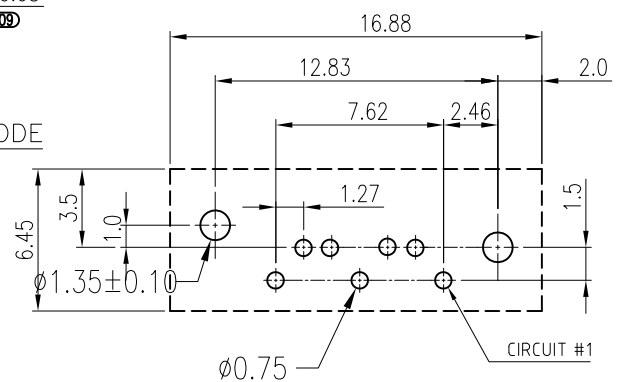
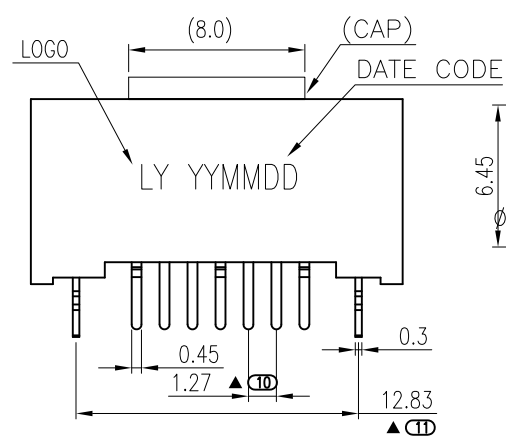
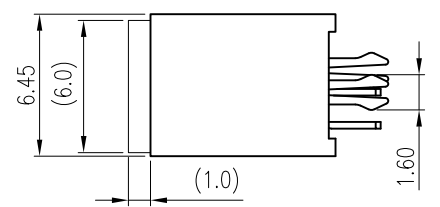
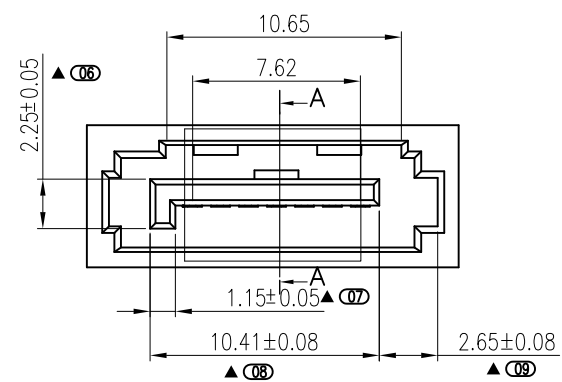
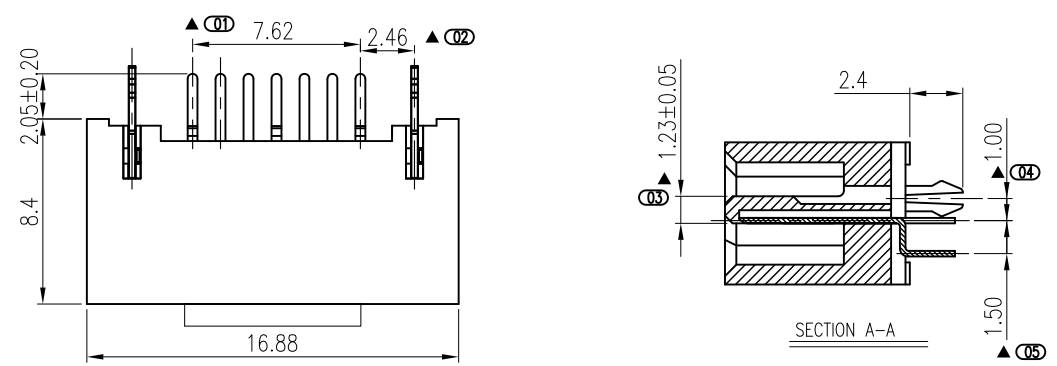
- Mechanical**
 Insertion Force: 45N max.
 Withdrawal Force: 10N min.
 Durability: 500 cycles.
- Electrical Specification**
 Current Rating: 1.5 Ampere per contact;
 Contact Resistance: 30 Milliohms max.
 Insulation Resistance: 1000 megohms min.
 Dielectric Withstanding Voltage: 500 V AC.
- Environmental**
 Operating Temperature: -55°C to +85°C
- Recommend Process:**
 Wave solder 260°C, 3~5 Seconds.
 IR Reflow, Peak Temp (230~245) °C, 20~40Seconds.
- Sign"▲"is importance dimension.**

NO.	CODE	MATERIAL	REMARK
2	L7	PA6T 30%G/F UL94V-0	RoHS2 Fit(IR Reflow)
1	L6	PA6T 30%G/F UL94V-0	RoHS2 Fit & HF(IR Reflow)

TABLE A : Plastical Material

P/N SA1027W-XXXX-07XXXXX

- Model P/N
- Plastical Material (Choose From Table A)
- Housing Color
 - 01:Black;
 - 02:Red.
- PIN Number
 - 07: 7PIN.
- Plating
 - A1:CONTACT AREA:Gold 1u",SOLDER AREA:Sn 100u" MIN, 50u"Ni under plating overall.
- packing
 - B:Tray;
 - R:Tape Reel.
- Type
 - H0:Horizontal;
 - V0:Vertical.



RECOMMEND PCB LAYOUT (GENERAL TOLERANCES:±0.05)

NO.	DESCRIPTION	QTY	PARTS MATERIAL	PLATING OR COLOR	REMARK
3	BOARD LOCK	2	BRASS	Sn(100u"mMin)Plating Over Ni(50u"Min)	—
2	CONTACT	7	COPPER ALLOY	Choose from P/N Plating code	—
1	HOUSING	1	Choose from P/N Material code	Choose from P/N Color code	—

Tolerance	MODEL NAME:SATA 7 Pin DIP Type	DRAWING: Peter Wang
X.X ±0.30	MODEL No:SA1027W-XXXX-07XXVOX	CHECKED: David zhou
X.XX ±0.20	SCALE:1:1	APPROVED:Jacky Lee
X.XXX ±0.10	REVISION AO	DATE: 2018.11.01
Angle ±3.0°	SHEET 1/1	FILE: F/LINGYANG
UNIT:mm	菱揚精密有限公司 Ling Yang Precision Co.,Ltd	DWG NO. SA1027W-A001